

The Wayback Machine - <https://web.archive.org/web/20041210210409/http://www.laptraveler.com/ultimate-drill-instructions.htm>



Interactive Products Corporation

ULTIMATE SERIES DRILL MOUNT INSTALLATION INSTRUCTIONS

Interactive Products Corporation manufactures the most versatile, ergonomic and rugged mobile computing and communication mounting systems available. We strive to meet and exceed our customer's expectations. We will manufacture specialized units to meet your mobile mounting needs.

If you have any questions, call us toll-free at: 888-552-7867.

**CAUTION: NEVER USE LAPTOP COMPUTER STAND WHEN VEHICLE IS IN MOTION!
SAFELY PARK VEHICLE PRIOR TO USE.**

INTERACTIVE PRODUCTS CORPORATION WILL NOT BE LIABLE FOR ANY DAMAGES RESULTING FROM IMPROPER USE OF OUR LAPTOP STANDS.

Thank you for your business.

WARRANTIES AND GUARANTEES:

All products are guaranteed to be free of manufacturers defects for a period of one year from the date of purchase. All Laptop Docking Stations are guaranteed not to crack or break for a period of one year from the date of purchase.

Interactive Products Corporation will repair or replace, at our discretion, without charge, any of our products which fail to perform due to defects in material or workmanship. Defects which result from damage or misuse, such as excessive force or improper installation, are not covered by this warranty.

Interactive Products will not be responsible for any incidental and/or consequential damage due to failure of any Interactive Products Corporation product.

Important: This Warranty gives you specific legal rights. You may have other rights which vary from state to state.

RETURN POLICY:

To return a product under warranty, contact Interactive Products toll free at 1-888-552-7867. Interactive Products will issue an RMA (Return Materials Authorization) number. No product will be accepted without an RMA number. The customer is responsible for return shipping. Package the merchandise in the

original shipping container, if possible, and include a note detailing the reason for return along with a copy of your receipt. **Please include your name, address and phone number.**

Interactive Products will evaluate the defect and, at our discretion, either replace or repair the item and return it to the customer at no charge.

Products returned due to customer error must be returned within 30 days, in resalable condition, in the original container. A restocking charge of 20% of the purchase price will be assessed.

UPGRADES:

Should the customer decide to upgrade to a heavy duty model, Interactive Products will swap the product and apply the purchase price (excluding freight and taxes) to the purchase of an upgraded unit. Product must be returned in resalable condition. Should any portion of the returned product be damaged, Interactive Products will contact the customer to determine the reduction to their credit.

"AIRBAG FRIENDLY " and "AIRBAG COMPATIBLE"

Much has been discussed, advertised and promoted regarding the compatibility between installation systems (mounting hardware) for mobile communications equipment and the "airbag deployment zones" in automobiles. Although many hardware manufacturers promote their products as being "airbag friendly" or "airbag compatible" the ultimate responsibility lies with the installer and/or end-user.

Any combination of installation hardware and mobile communication equipment that is not installed and positioned properly within the suggested dimensional parameters as defined by the vehicle manufacturer could potentially interfere with the deployment of the airbag(s). As a hardware manufacturer, Interactive Products Corporation can make suggestions and recommendations for the correct positioning and installation of our mounting systems. However, Interactive Products Corporation cannot control the ultimate placement and/or quality of the installation; nor can we control the type, size, style or placement of mobile communication equipment which the end-user chooses to mount onto, or with our products.

Manufacturers of public safety and law enforcement automobiles have provided, over the past few years, detailed information regarding the "airbag deployment zone(s)" in their specific vehicles. In printed material and via videotapes, car manufacturers have outlined and illustrated the area within each vehicle that is considered a safe zone for installing mobile communications equipment.

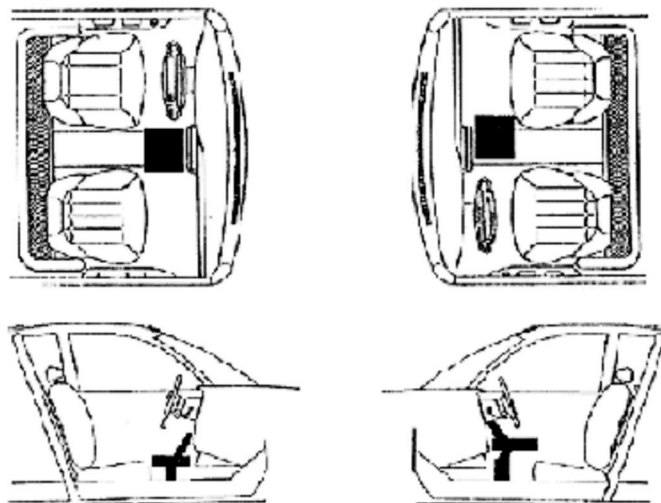
Note: Although airbag templates are available to assist in positioning equipment, they may not give you an exact image of the actual "deployment zone" of a rapidly inflating airbag. We strongly suggest you supplement the use of templates with the information provided by the vehicle manufacturer for a more accurate representation of available installation space.

WARNING

Do not install the mount system or position the equipment in the deployment path of an airbag. In the event of airbag deployment, mounting systems and/or equipment located within the airbag deployment zones can damage the airbag, prevent proper airbag inflation and/or become projectiles which could potentially cause personal injury or death. To determine airbag deployment zones and the area recommended for equipment installation, refer to vehicle manufacturer's manual. Interactive Products Corporation makes no warranties except for intended use and will not be held liable or responsible for any loss or damage, whether direct, indirect, incidental, special or consequential arising from the sale, use or misuse of Interactive

Products Corporation products or the user's inability to use such products.

SUGGESTED LAPTOP POSITIONS



NOTE: Assembly order:

1. Docking Station
2. Pedestal
3. Drill Mount

Note: Make sure all parts are present and read all instructions prior to assembly (SEE DETAIL). :

LapTraveler® ULTIMATE SERIES DRILL MOUNT PEDESTAL & DOCKING STATION ASSEMBLY INSTRUCTIONS

ASSEMBLE DOCKING STATION (SEE DOCKING STATION DETAIL):

DOCKING STATION HARDWARE PACKET INCLUDES:

PART #:	DESCRIPTION:	QTY:
10	L-bracket	2
11	quick release strap	1
13	1/4-20 flat head bolt	4
15-1	1/4-20 kep nut	4
15-3	6/32 kep nut	2
16	knob	2
18-3	6/32 button head bolt	2
22-1	hex key for 1/4 bolt	1
22-3	hex key for 6/32 bolt	1
23	note pad clip	1

1. Position **laptop docking station (1)** face up with the lip at the bottom.
2. Line up holes in the **notepad clip (23)** (clipping mechanism toward the lip) with the top two holes in the docking station (SEE CLIP DETAIL).
3. Attach notepad clip by inserting two **button head bolts (18-3)** through the notepad clip and docking station from the top, and securing with two **kep nuts (15-3)** screwed on from underneath. Make sure the teeth on the kep nut are touching the back of the docking station. Tighten with **hex key (22-3)**.
4. Install Compu-Loc computer fastening system to docking station as follows (SEE DOCKING STATION DETAIL): Attach plastisol coated **L-brackets (10)** to top of the docking station using **knobs (16)** inserted from underneath.
5. Insert the **quick release strap (11)** through the slots in the docking station. Feed from underneath into the right slot, across top of docking station, and down through the left slot.

ATTACH DOCKING STATION TO PEDESTAL:

1. Place docking station on top of flat plate portion of pedestal and attach using **1/4-20 flat head bolts (13)** and **1/4-20 kep nuts (15-1)**. Use **hex key (22-3)** to tighten.

ATTACH PEDESTAL TO VEHICLE FLOOR:

NOTE: INTERACTIVE PRODUCTS CORP. WILL ASSUME NO LIABILITY FOR DAMAGE TO VEHICLE FROM INPROPER INSTALLATION OF OUR MOBILE DESK. IF YOU ARE UNSURE HOW TO INSTALL YOUR MOBILE DESK, PLEASE CONSULT YOUR LOCAL PROFESSIONAL INSTALLER TO INSURE NO DAMAGE IS DONE TO YOUR VEHICLE.

1. Use **pedestal base** as your template. Place unit in a position that provides maximum movement of your passenger seat but still puts pedestal as close as possible to the driver. Make sure there are no wires or obstructions before drilling holes (**You will most likely need to remove molding and check under carpet prior to drilling & inspect under vehicle**). Once location is determined, use a marker to mark holes.

DRILL MOUNT HARDWARE PACKET INCLUDES:		
PART #:	DESCRIPTION:	QTY:
8	neoprene washer	4
15-1	¼-20 kep nut	4
18-2	1/4-20X3" bolt	4
25	self tapping screws	4

TO INSTALL USING SELF-TAPPING SCREWS

1. Use a 3/16" drill bit to drill holes for **self-tapping screws (25)**. Put pedestal in place and install with screws.

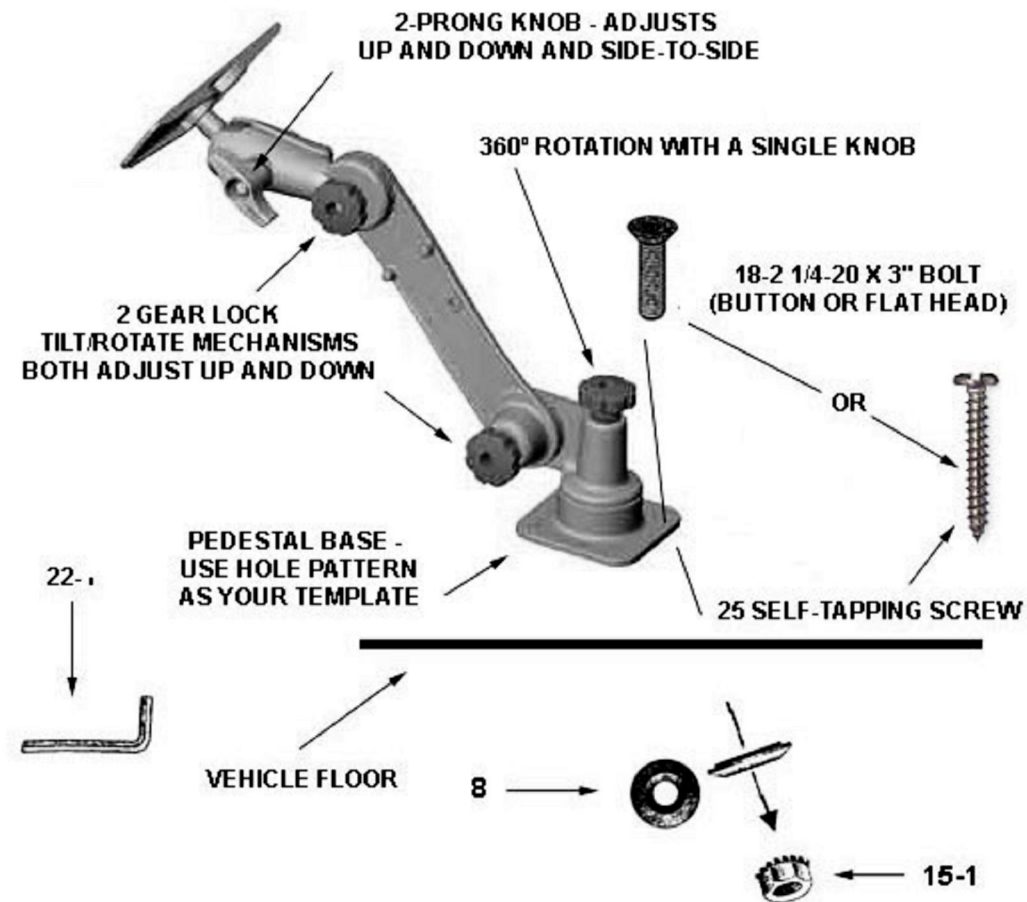
TO INSTALL USING BOLTS:

1. Use a 9/32" drill bit to drill holes. Insert **1/4-20 X 3" bolt (18-2)** through pedestal base. From underside of vehicle, slide galvanized **neoprene washers (8)** over bolts, screw on **1/4-20 kep nuts (15-1)** and hand tighten. Tighten button head bolts with hex key (22-1) (or flat head bolts with screwdriver).

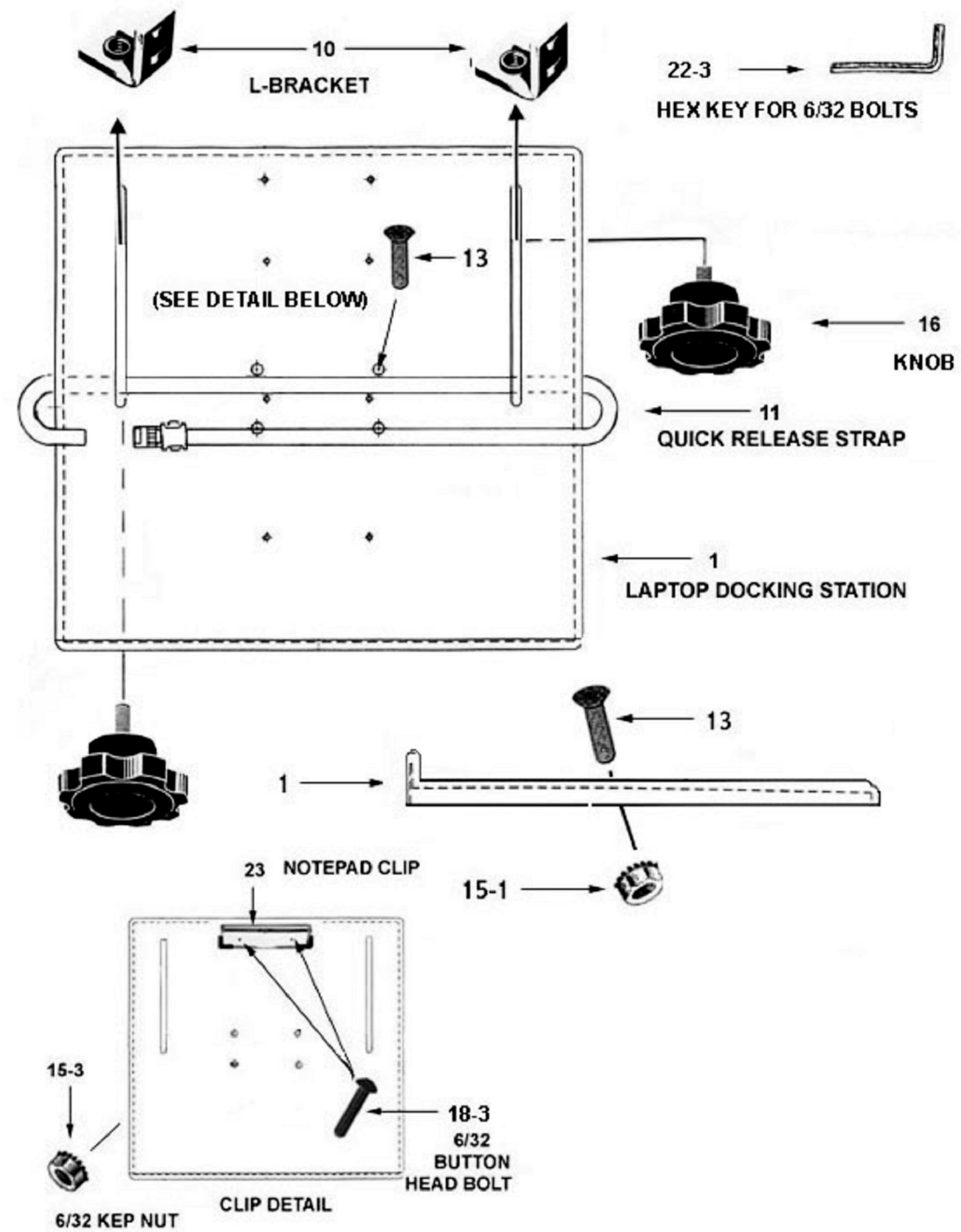
SIZE COMPU-LOC COMPUTER SECURING SYSTEM:

1. Place laptop onto docking station and adjust L-brackets so they rest against the back of the laptop when laptop is resting on the front lip of the docking station.
2. Remove laptop and move L-brackets 1/8" to 1/4" closer to the front lip and tighten L-brackets with eight-prong knob. *Your Compu-Loc Computer Fastening System is now set up so that the laptop will snap on and off of the docking station.
3. Re-attach laptop to docking station. Open clamshell. Lay quick release strap across the keyboard, above the function keys so as not to impede any keys. Thread strap through buckle and synch laptop to docking station. Laptop can now be used without releasing the buckle.

ULTIMATE SERIES PEDESTAL ASSEMBLY DETAIL



ULTIMATE SERIES DOCKING STATION ASSEMBLY DETAIL



[\[accessories\]](#) [\[airbag safety\]](#) [\[atv mounts\]](#) [\[cell phone mounts\]](#) [\[cool links\]](#) [\[contact us\]](#)
[\[credit application\]](#) [\[desktop organizers\]](#) [\[distributor evaluation\]](#) [\[distributor network\]](#) [\[faq\]](#)
[\[feedback\]](#) [\[gps mounts\]](#) [\[home\]](#) [\[installation instructions\]](#) [\[laptop accessories\]](#) [\[marine accessories\]](#)
[\[marine mounts\]](#) [\[pda mounts\]](#) [\[police mounts\]](#) [\[portable mounts\]](#) [\[printable order form\]](#)
[\[printer mounts\]](#) [\[return policy\]](#) [\[sales & specials\]](#) [\[satisfied customers\]](#)
[\[terms & conditions\]](#) [\[vehicle mounts\]](#) [\[vehicle organizers\]](#) [\[warranty\]](#) [\[wheelchair mounts\]](#)

Interactive Products Corporation
148 Bluff Road, Dayton, TN 37321
Toll Free: 888-552-7867 Fax: 423-775-0611

© 1997-2002 Interactive Products Corporation. All Rights Reserved.

All brand names and product names used on these web pages are trademarks or trade names of their respective holders.
For further information contact ipc@laptraveler.com.

